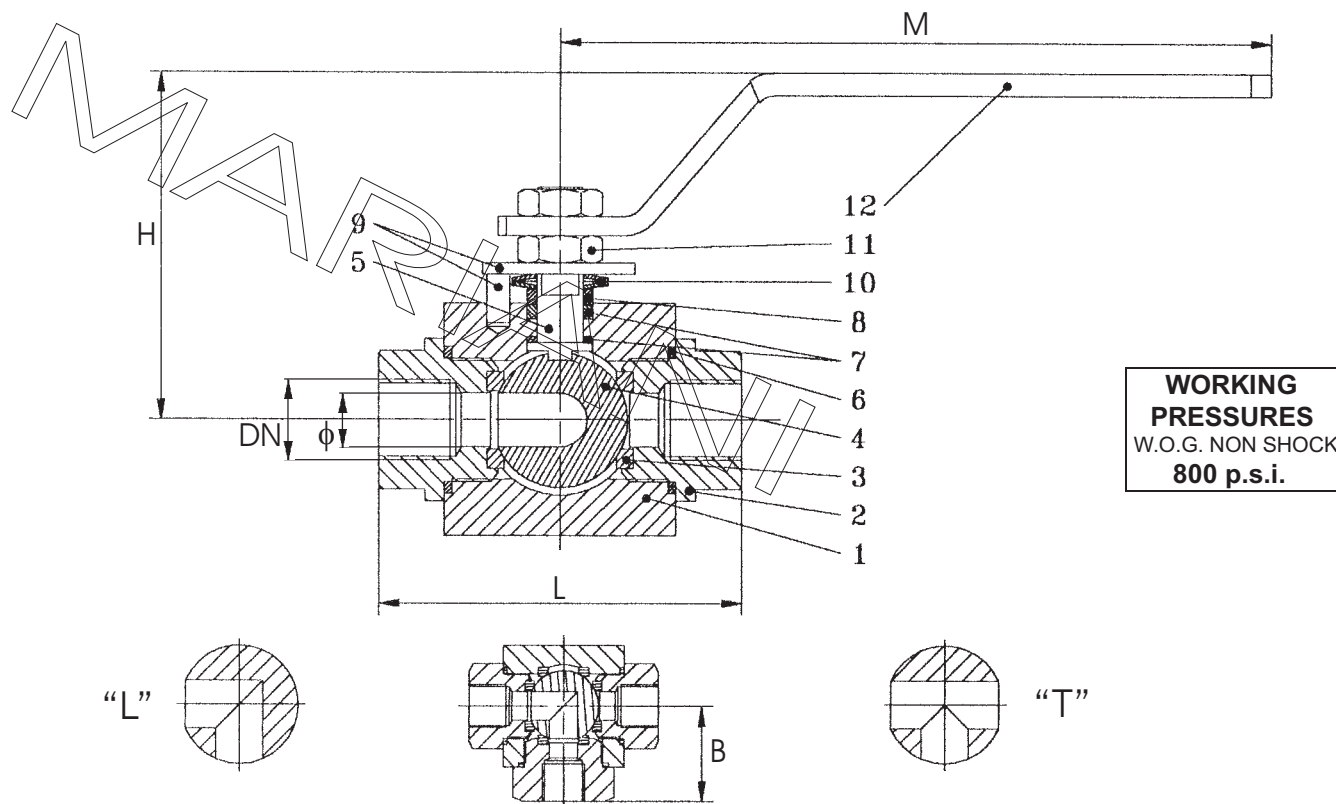


VALVOLA A SFERA - 3 VIE - PASSAGGIO RIDOTTO - ACCIAIO C./INOX - FFF - S.800

BALL VALVE - 3 WAYS - REDUCED BORE - CARBON/STAINLESS ST. - FFF - S.800



OPTIONAL FEATURES: 1)LOCKING DEVICE
2)MOUNTING PLATE DIN/ISO 5211
3)GEAR MANUAL OPERATOR
4)PNEUMATIC/ELECTRIC ACTUATOR
5)LIMIT SWITCHES

OPTIONAL MATERIALS: 10)ASTM A350 LF2
11)MONEL K500
12)ASTM A494 CW12M1 (HASTELLOY C)
13)UNS-S 31803 (DUPLEX STAINLESS)
14)ASTM B148 C95500 (AL/BZ)

	DESCRIZIONE	DESCRIPTION	A (Carbon Steel)	INOX (Stainless Steel)
1	CORPO	BODY	ASTM A105	ASTM A182 F316
2	MANICOTTO	END PLUG	ASTM A105	ASTM A182 F316
3	SEGGIO	SEAT	P.T.F.E.	P.T.F.E.
4	SFERA	BALL	ASTM A182 F304	ASTM A182 F316
5	ASTA	STEM	ASTM A182 F304	ASTM A182 F316
6	GUARNIZIONE CORPO	BODY SEAL	P.T.F.E.	P.T.F.E.
7	SEDE ASTA	STEM SEAT	GRAPHITE TEFLONED	GRAPHITE TEFLONED
8	PREMISTOPPA	THRUST WASHER	ASTM A105	ASTM A105
9	FERMO	STOP	ASTM A193 B7	ASTM A193 B7
10	MOLLE A TAZZA	SPRING DISCS	ASTM A182 F304	ASTM A182 F304
11	DADO - CONTRODADO	NUTS	ASTM A194 2H	ASTM A194 2H
12	LEVA	LEVER	CARBON STEEL	CARBON STEEL

THREADING: NPT (ANSI B1.20.1) or GAS (ISO 7/1 Rp) FEMALE PARALLEL
SOLDER ENDS: SW (ANSI B16.11)

DN	1/4"	3/8"	1/2"	3/4"	1"	1 1/4"	1 1/2"	2"
φ	10	10	10	15	20	25	30	38
L	75	75	75	90	110	125	135	160
M	148	148	148	180	180	240	240	240
H	70	70	70	90	93	110	115	120
B	38	38	38	45	55	63	68	80
Kg	1.2	1.2	1.2	1.2	2.1	3.5	4.5	6