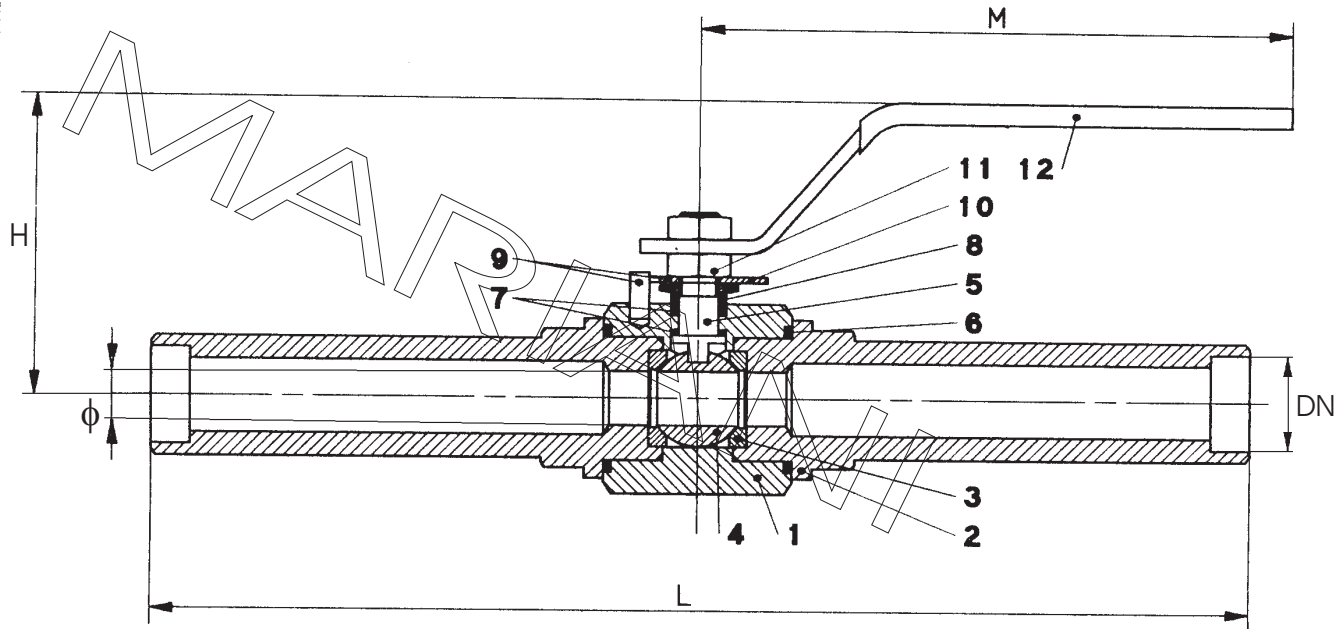


**VALVOLA A SFERA - MONOBLOCCO - C/ESTENSIONI -
PASSAGGIO TOTALE - ACCIAIO C./INOX - S.800**

**BALL VALVE - 1 PIECE - SOLDER EXTENSIONS -
FULL BORE - CARBON/STAINLESS ST. - S.800**



WORKING PRESSURES
W.O.G. NON SHOCK
800 p.s.i.

OPTIONAL FEATURES: 1)LOCKING DEVICE
2)EXTENDED WRENCH
3)LIMIT SWITCHES

CONFORM TO: API STD 6D / BS 5351
FIRE SAFE API 607 / BS 6755
ANTISTATIC DEVICE BS 5146

OPTIONAL MATERIALS: 10)ASTM A350 LF2
11)MONEL K500
12)ASTM A494 CW12M1 (HASTELLOY C)
13)UNS-S 31803 (DUPLEX STAINLESS)

	DESCRIZIONE	DESCRIPTION	A (Carbon Steel)	INOX (Stainless Steel)
1	CORPO	BODY	ASTM A105	ASTM A182 F316
2	NIPPLI	NIPPLES	ASTM A105	ASTM A182 F316
3	SEGGIO	SEAT	P.T.F.E.	P.T.F.E.
4	SFERA	BALL	ASTM A182 F304	ASTM A182 F316
5	ASTA	STEM	ASTM A182 F304	ASTM A182 F316
6	GUARNIZIONE CORPO	BODY SEAL	P.T.F.E.	P.T.F.E.
7	SEDE ASTA	STEM SEAT	GRAPHITE TEFLONED	GRAPHITE TEFLONED
8	PREMISTOPPA	THRUST WASHER	ASTM A105	ASTM A105
9	FERMO	STOP	ASTM A193 B7	ASTM A193 B7
10	MOLLE A TAZZA	SPRING DISCS	ASTM A182 F304	ASTM A182 F304
11	DADO - CONTRODADO	NUTS	ASTM A194 2H	ASTM A194 2H
12	LEVA	LEVER	CARBON STEEL	CARBON STEEL

SOLDER ENDS: SW (ANSI B16.11) - BW (ANSI B16.25)

DN	1/4"	3/8"	1/2"	3/4"	1"	1 1/4"	1 1/2"	2"	2 1/2"	3"	4"
ϕ	10	10	15	20	25	30	38	48	65	73	94
L	267	267	275	290	305	320	335	355	390	405	430
M	148	148	148	180	180	240	240	280	380	380	470
H	72	72	75	85	95	100	105	115	130	145	200
Kg	0.6	0.6	0.8	1.7	2	4	4.5	5	13	17.5	30