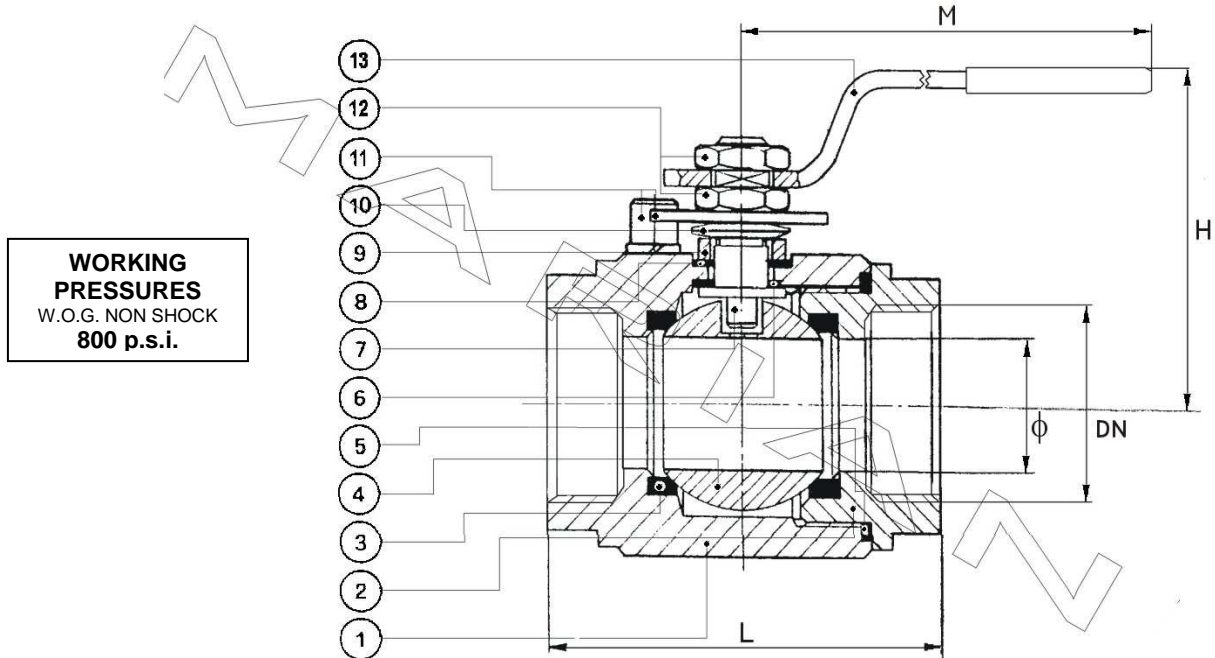


**VALVOLA A SFERA - MONOBLOCCO - PASSAGGIO TOTALE -
ACCIAIO C./INOX - FF - S.800
BALL VALVE - 1 PIECE - FULL BORE - CARBON/STAINLESS ST. - FF - S.800**



OPTIONAL FEATURES: 1)S.1500-3000-6000
2)LOCKING DEVICE
3)EXTENDED WRENCH
4)LIMIT SWITCHES

CONFORM TO: API STD 6D/BS 5251
FIRE SAFE API 607 / BS 6755
ANTISTATIC DEVICE BS 5146
MSS SP 25 / MSS SP 110

OPTIONAL MATERIALS: 10)ASTM A350 LF2
11)MONEL K500
12)ASTM A494 CW12M1 (HASTELLOY C)
13)UNS-S 31803 (DUPLEX STAINLESS)

	DESCRIZIONE	DESCRIPTION	A (Carbon Steel)	INOX (Stainless Steel)
1	CORPO	BODY	ASTM A105	ASTM A182 F316
2	MANICOTTO	END PLUG	ASTM A105	ASTM A182 F316
3	SEGGIO	SEAT	P.T.F.E.	P.T.F.E.
4	SFERA	BALL	ASTM A182 F304	ASTM A182 F316
5	GUARNIZIONE CORPO	BODY SEAL	P.T.F.E.	P.T.F.E.
6	SEDE ASTA	STEM SEAT	GRAPHITE TEFLONED	GRAPHITE TEFLONED
7	ASTA	STEM	ASTM A182 F304	ASTM A182 F316
8	GUARNIZIONE	GASKET	GRAPHITE TEFLONED	GRAPHITE TEFLONED
9	PREMISTOPPA	THRUST WASHER	ASTM A105	ASTM A105
10	MOLLE A TAZZA	SPRING DISCS	ASTM A182 F304	ASTM A182 F304
11	FERMO	STOP	ASTM A193 B7	ASTM A193 B7
12	DADO -CONTRODADO	NUTS	ASTM A194 2H	ASTM A194 2H
13	LEVA	LEVER	CARBON STEEL	CARBON STEEL

**THREADING: NPT (ANSI B1.20.1) or GAS (ISO 7/1 Rp) FEMALE PARALLEL
SOLDER ENDS: SW (ANSI B16.11) - BW (ANSI B16.25)**

DN	1/4"	3/8"	1/2"	3/4"	1"	1 1/4"	1 1/2"	2"	2 1/2"	3"	4"
Ø	10	10	15	20	25	30	38	48	65	73	94
L	67	67	75	90	105	120	135	155	190	205	230
M	148	148	148	180	180	240	240	280	380	380	470
H	72	72	75	85	95	100	105	115	130	145	200
Kg	0.6	0.6	0.8	1.7	2.0	4.0	4.5	5.0	13.0	17.5	30