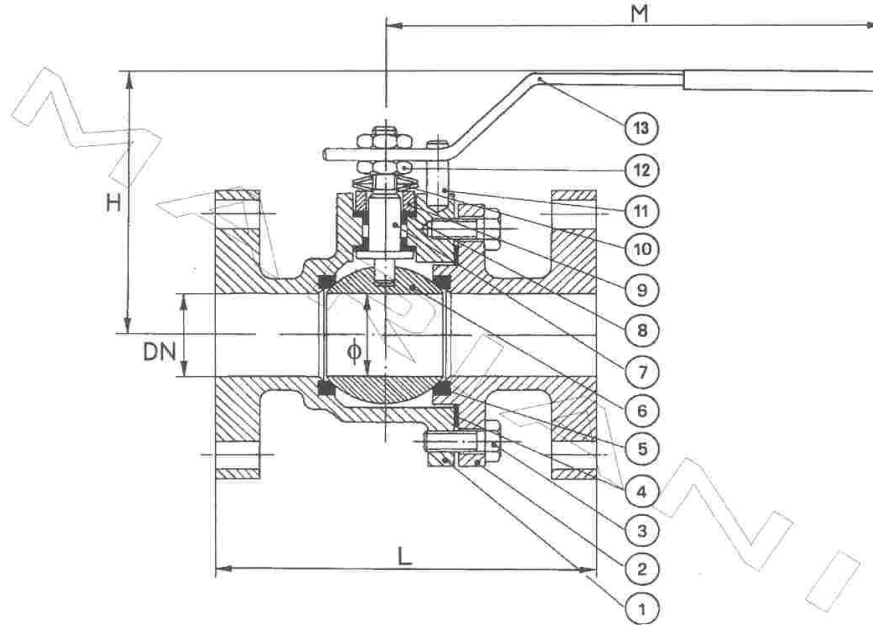


**VALVOLA A SFERA - SPLIT BODY – PASSAGGIO TOTALE – NI/AL BRONZE - PN 16**

**BALL VALVE – SPLIT BODY – FULL BORE –NI/AL BRONZE – NP 16**



**WORKING PRESSURES**  
W.O.G. NON SHOCK  
**350 p.s.i.**

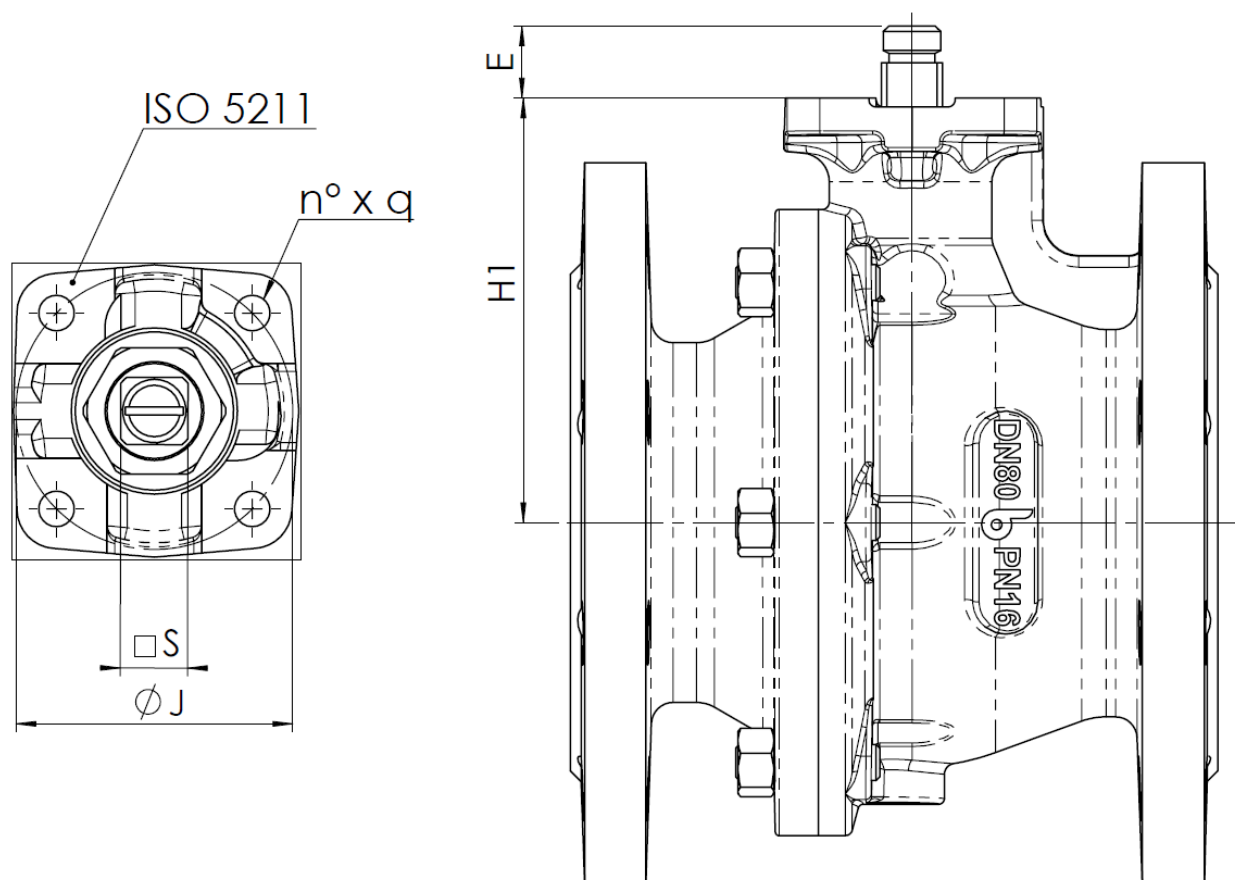
**CONFORM TO:** API STD 6FA / ISO 17292  
FIRE SAFE DESIGN API 607 / BS 6755  
LENGTH DIN 3202 F4/F5  
MSS SP-72

**OPTIONAL FEATURES:** 1) LOCKING DEVICE  
2) EXTENDED WRENCH  
3) MOUNTING PLATE DIN/ISO 5211  
4) GEAR MANUAL OPERATOR

	DESCRIZIONE	DESCRIPTION	AL / BZ	AL / BZ - INOX	AL / BZ MONEL
1	CORPO	BODY	ASTM B148 C95800	ASTM B148 C95800	ASTM B148 C95800
2	FLANGIA	FLANGE	ASTM B148 C95800	ASTM B148 C95800	ASTM B148 C95800
3	TIRANTE	BOLTING	ASTM A479-316	ASTM A479-316	ASTM A479-316
4	GUARNIZIONE	BODY SEAL	VITON	VITON	VITON
5	SEGGIO	SEAT	P.T.F.E.	P.T.F.E.	P.T.F.E.
6	SFERA	BALL	ASTM B148 C95800	ASTM A182 F316	MONEL
7	ASTA	STEM	ASTM B150 C63000	ASTM A182 F316	MONEL
8	SEDE ASTA	STEM SEAT	VITON	VITON	VITON
9	PREMISTOPPA	THRUST WASHER	ASTM B148 C95800	ASTM A182 F316	ASTM B148 C95800
10	MOLLE A TAZZA	SPRING DISCS	ASTM A182 F316	ASTM A182 F316	ASTM A182 F316
11	FERMO	STOP	ASTM A182 F316	ASTM A182 F316	ASTM A182 F316
12	DADI	NUTS	ASTM A479-316	ASTM A479-316	ASTM A479-316
13	LEVA	LEVER	ASTM A182 F316	ASTM A182 F316	ASTM A182 F316

**FLANGED ENDS: DIN 2501 PN 10-16**

SIZE	1/2"	3/4"	1"	1 1/4"	1 1/2"	2"	2 1/2"	3"	4"	5"	6"	8"
DN	15	20	25	32	40	50	65	80	100	120	150	200
φ	15	20	25	32	39	50	63	76	94	120	144	190
L	120	120	125	130	140	150	170	180	190	200	210	400
M	130	130	170	170	220	220	284	284	360	447	560	1000
H	85	85	95	100	118	125	152	166	180	225	242	320
Kg	2.5	2.5	3.2	4.4	5.5	8.6	11.5	16.2	20	30	36	93



Dimensioni attacco ISO / Topwork dimension (mm)												
<b>DN</b>	15	20	25	32	40	50	65	80	100	125	150	200
<b>H1</b>	50.5	52	59	64	78.5	87	95	118	132.5	165	182.5	230
<b>E</b>	11.5	11.5	14.5	14.5	17.5	17.5	17.5	20	20	24.5	24.5	30
<b>ISO 5211</b>	F04	F04	F04	F04	F05	F05	F05	F07	F07	F10	F10	F12
<b>S</b>	9	9	11	11	14	14	14	17	17	22	22	27
<b>J</b>	42	42	42	42	50	50	50	70	70	102	102	125
<b>N x q</b>	4 x 6	4 x 6	4 x 6	4 x 6	4 x 7	4 x 7	4 x 7	4 x 9	4 x 9	4 x 11	4 x 11	4 x 13
Momento torcente / Operating torque DP= 16 bar												
<b>Nm</b>	15	15	18	18	18	20	40	70	100	180	250	600

Per la corretta scelta del servo comando si consiglia di moltiplicare il momento torcente per il fattore di sicurezza **K= 1,5**

For the choice of the right actuator we recommend to multiply the operating torque by the safety factor **K=1,5**

Dimensioni in mm / Dimension in mm