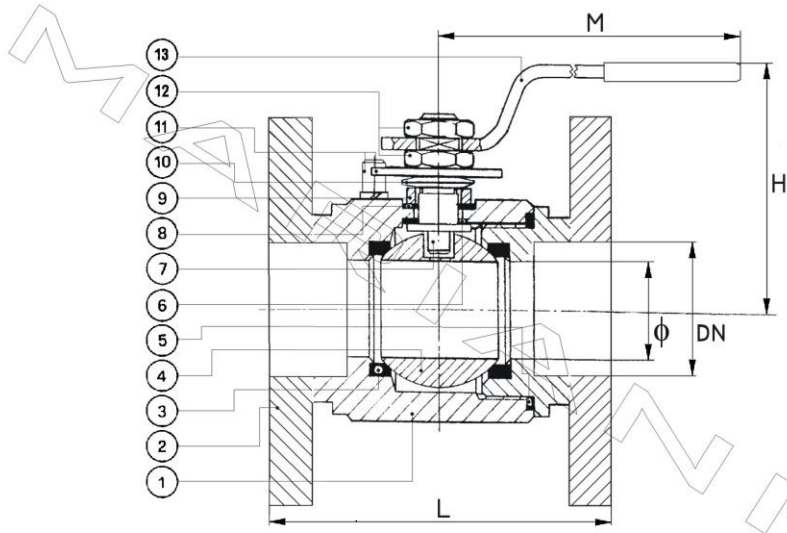


**VALVOLA A SFERA – MONOBLOCCO – PASSAGGIO TOTALE –
NI/AL BRONZE – ANSI 150
BALL VALVE – 1 PIECE – FULL BORE - NI/AL BRONZE – ANSI 150**



CONFORM TO: LENGHT ANSI B16.10
B16.24
ISO 10497
MSS SP-72

OPTIONAL MATERIAL:
CB 333G
ASTM B62 C83600

	DESCRIZIONE	DESCRIPTION	AL / BZ	AL / BZ - INOX	AL / BZ - MONEL
1	CORPO	BODY	ASTM B148 C95800	ASTM B148 C95800	ASTM B148 C95800
2	MANICOTTO	END PLUG	ASTM B148 C95800	ASTM B148 C95800	ASTM B148 C95800
3	SEGGIO	SEAT	P.T.F.E.	P.T.F.E.	P.T.F.E.
4	SFERA	BALL	ASTM B148 C95800	ASTM A182 F316	MONEL K500
5	GUARNIZIONE	BODY SEAL	VITON	VITON	VITON
6	SEDE ASTA	STEM SEAT	GRAPHITE TEFLONED	GRAPHITE TEFLONED	GRAPHITE TEFLONED
7	ASTA	STEM	ASTM B150 C63000	ASTM A182 F316	MONEL K500
8	GUARNIZIONE	GASKET	GRAPHITE TEFLONED	GRAPHITE TEFLONED	GRAPHITE TEFLONED
9	PREMISTOPPA	THRUST WASHER	ASTM A182 F316	ASTM A182 F316	ASTM A182 F316
10	MOLLE A TAZZA	SPRING DISCS	ASTM A182 F316	ASTM A182 F316	ASTM A182 F316
11	FERMO	STOP	ASTM A182 F316	ASTM A182 F316	ASTM A182 F316
12	DADI	NUTS	ASTM A194 GR.8	ASTM A194 GR.8	ASTM A194 GR.8
13	LEVA	LEVER	ASTM A182 F316	ASTM A182 F316	ASTM A182 F316

FLANGED ENDS: ANSI B16.5 150 FF/RF or DIN 2501 PN 10-16

SIZE	1/2"	3/4"	1"	1 1/4"	1 1/2"	2"	2 1/2"	3"	4"
DN	15	20	25	32	40	50	65	80	100
Ø	15	20	25	30	38	48	65	73	94
L	108	117	127	140	165	178	190	203	229
M	153	186	186	233	233	233	380	380	470
H	75	80	85	100	105	115	130	145	200
Kg	1.95	2.60	3.80	6.50	7.00	10.20	22.50	24.50	40.00