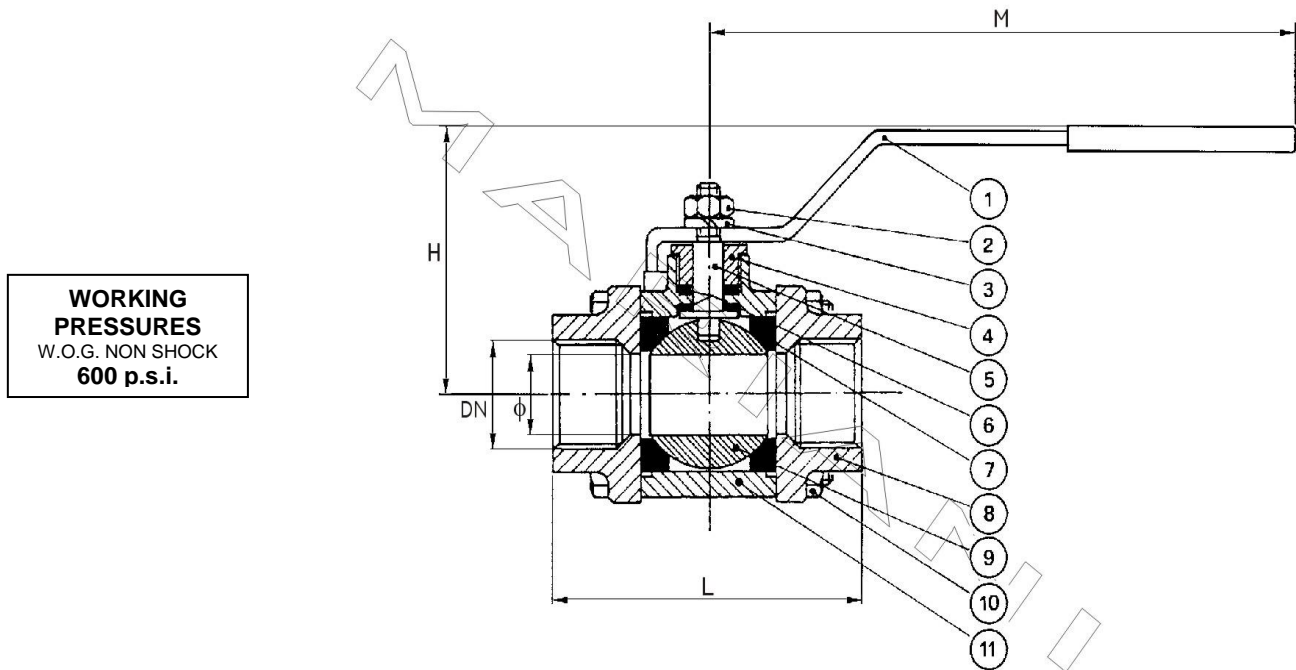


VALVOLA A SFERA – 3 PEZZI – PASSAGGIO RIDOTTO – NI/AL BRONZE – FF - PN 40

BALL VALVE - 3 PIECES - REDUCED BORE – NI/AL BRONZE – FF – PN 40



**WORKING PRESSURES**  
W.O.G. NON SHOCK  
**600 p.s.i.**

CONFORM TO: API STD 6D / ISO 17292  
FIRE SAFE DESIGN API 607 / BS 6755  
MSS SP-110

OPTIONAL MATERIAL: ASTM B148 C95800  
BS 1400 AB2  
CB 333G  
ASTM B62 C83600

	DESCRIZIONE	DESCRIPTION	AL/BZ (Aluminium Bronze)	AL/BZ MONEL
1	LEVA	LEVER	ASTM A182 F316	ASTM A182 F316
2	DADO	NUT	ASTM A479-316 (A4)	ASTM A479-316 (A4)
3	PIASTRINA	PLATE	ASTM A182 F316	ASTM A182 F316
4	PREMISTOPPA	THRUST WASHER	ASTM A182 F316	ASTM A182 F316
5	ASTA	STEM	ASTM B148 C95500	MONEL K500
6	SEDE ASTA	STEM SEAT	GRAPHITE TEFLONED	GRAPHITE TEFLONED
7	SEGGIO	SEAT	P.T.F.E.	P.T.F.E.
8	MANICOTTO	END PLUG	ASTM B148 C95500	ASTM B148 C95500
9	SFERA	BALL	ASTM B148 C95500	MONEL K500
10	TIRANTE	BOLTING	ASTM A479-316 (A4)	ASTM A479-316 (A4)
11	CORPO	BODY	ASTM B148 C95500	ASTM B148 C95500

**THREADING: NPT (ANSI B1.20.1) or SW (ANSI B16.11)**

DN	1/2"	3/4"	1"	1 1/2"	2"	2" 1/2	3"	4"
Ø	15	15	20	32	40	50	65	80
L	80	80	95	120	130	145	205	210
M	153	153	187	280	280	355	355	410
H	70	70	85	95	106	145	150	165
Kg	0.90	0.90	1.80	3.80	4.80	15.00	18.00	23.00