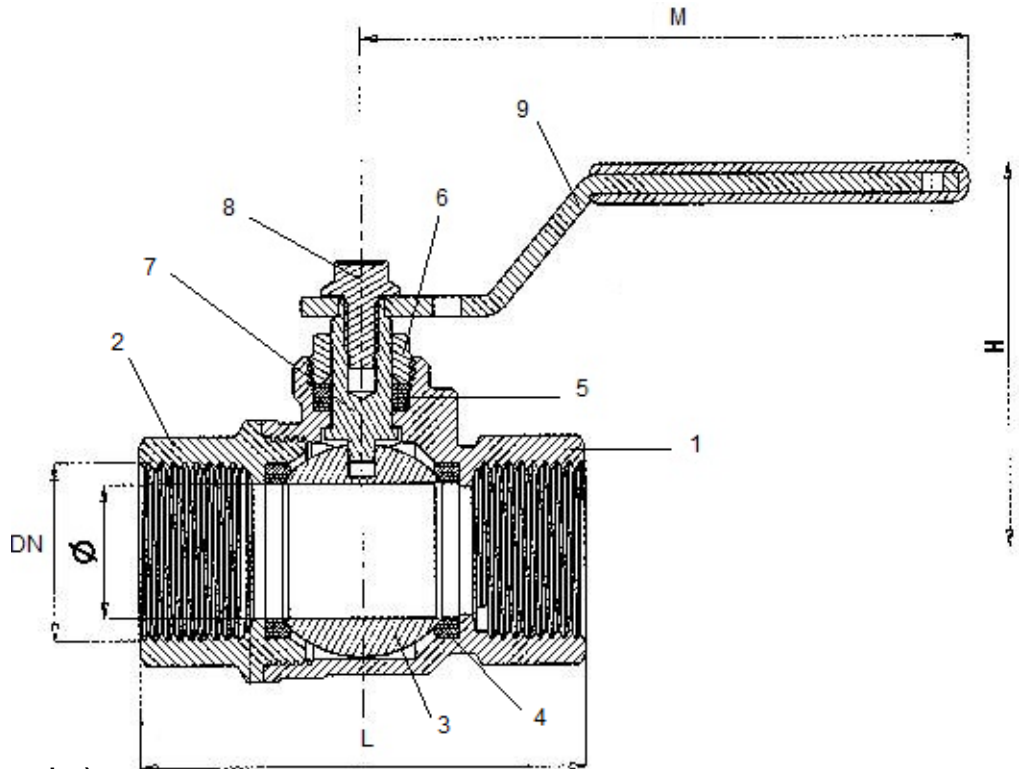


VALVOLA A SFERA - PASSAGGIO TOTALE - BRONZO - FF - PN 25/40
BALL VALVE - FULL BORE - BRONZE - FF - 600 p.s.i.



WORKING PRESSURES

W.O.G. NON SHOCK

2" ≤ 600 p.s.i.

2" > 400 p.s.i.

OPTIONAL FEATURES:

1) LOCKING DEVICE (only BZ/ Inox version)

CONFORM TO: MSS SP 110

	DESCRIZIONE	DESCRIPTION	BZ (Bronze)	BZ/INOX (Bronze/Stainless St.)
1	CORPO	BODY	BRONZE ASTM B62 C83600	BRONZE ASTM B62 C83600
2	MANICOTTO	END PLUG	BRONZE ASTM B62 C83600	BRONZE ASTM B62 C83600
3	SFERA	BALL	ASTM B16 C36000 HARD C.P.	ASTM A 182 F316
4	SEGGIO	SEAT	P.T.F.E.	P.T.F.E.
5	SEDE ASTA	STEM SEAT	P.T.F.E.	P.T.F.E.
6	PREMISTOPPA	THRUST WASHER	ASTM B16 C36000	ASTM B16 C36000
7	ASTA	STEM	ASTM B16 C36000	ASTM B16 C36000
8	VITE	LEVER SCREW	ZINC PLATED STEEL	ZINC PLATED STEEL
9	LEVA	LEVER	ASTM A 105 Z.P./ PLASTIC PVC	ASTM A 105 Z.P./ PLASTIC PVC

THREADING: NPT (ANSI B1.20.1) or BSP (ISO 228/1)

DN	1/4"	3/8"	1/2"	3/4"	1"	1 1/4"	1 1/2"	2"	2 1/2"	3"	4"
Ø	12	12	15	20	25	32	40	50	60	80	100
L BZ	51	51	57	67	77	91	103	122	142	178	210
L BZ/INOX	51	51	62	67	77	91	103	122	-	-	-
M	86	86	92	92	125	127	142	142	200	280	280
H	42	42	53	55	65	71	82	90	119	137	159
Kg	0.200	0.200	0.250	0.400	0.650	1.000	1.600	2.600	4.200	6.500	10.000