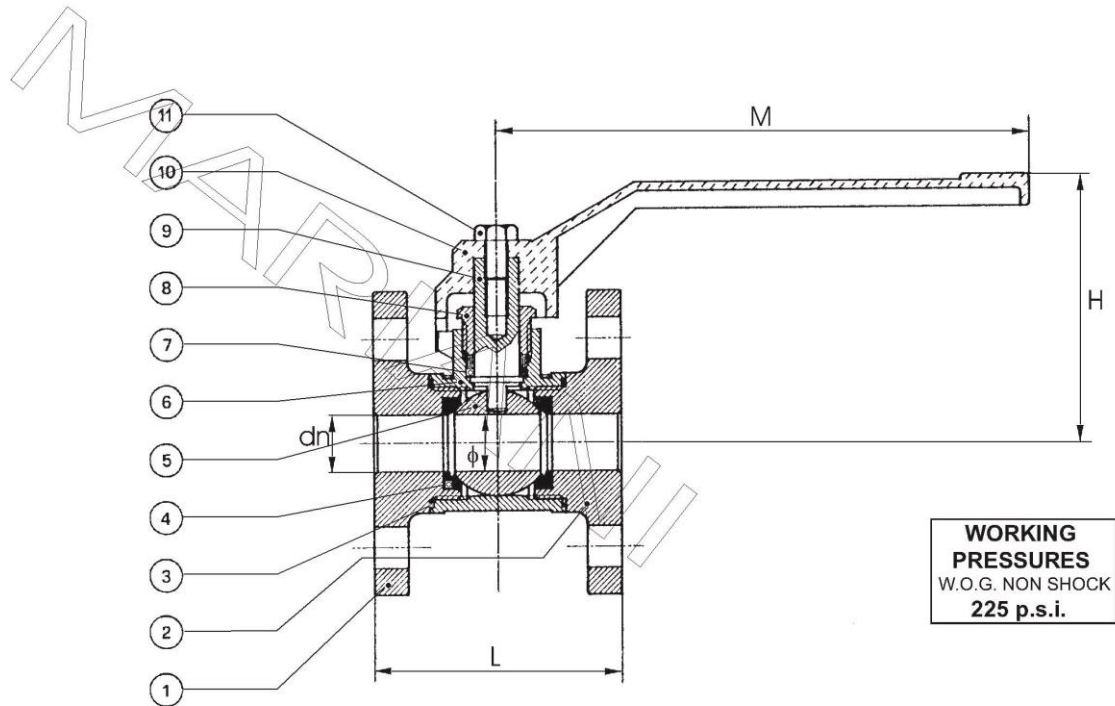


**VALVOLA A SFERA – FLANGIATA - PASSAGGIO TOTALE - OTTONE - PN 16  
BALL VALVE – FLANGED ENDS - FULL BORE - BRASS - 100 LBS**



CONFORM TO: MSS SP-72

# BRASS ASTM B283=CuZn40Pb2 (UNI 5705/65)

	DESCRIZIONE	DESCRIPTION	MATERIAL
1	CORPO	BODY	BRASS ASTM B283 – CHROME PLATED#
2	FLANGIA	FLANGE	BRASS ASTM B283 – CHROME PLATED
3	GUARNIZIONE	GASKET	P.T.F.E.
4	SEGGIO	SEAT	P.T.F.E.
5	SFERA	BALL	BRASS ASTM B16 – HARD CHROME PLATED
6	GUARNIZIONE	GASKET	P.T.F.E.
7	SEDE ASTA	STEM SEAT	P.T.F.E.
8	PREMISTOPPA	THRUST WASHER	BRASS ASTM B16
9	ASTA	STEM	BRASS ASTM B16
10	LEVA	LEVER	ALUMINIUM ALLOY
11	VITE	LEVER SCREW	ZINC PLATED STEEL

**FLANGED ENDS: DIN 2501 PN 10-16**

DN	15	20	25	32	40	50	65	80	100
Ø	15	20	25	32	40	49	60	74	94
L	65	80	85	100	110	125	140	150	170
M	140	140	165	165	200	220	240	240	320
H	70	70	90	100	110	120	130	145	170
Kg	1.400	1.800	2.500	3.600	4.800	6.500	8.900	11.900	15.600