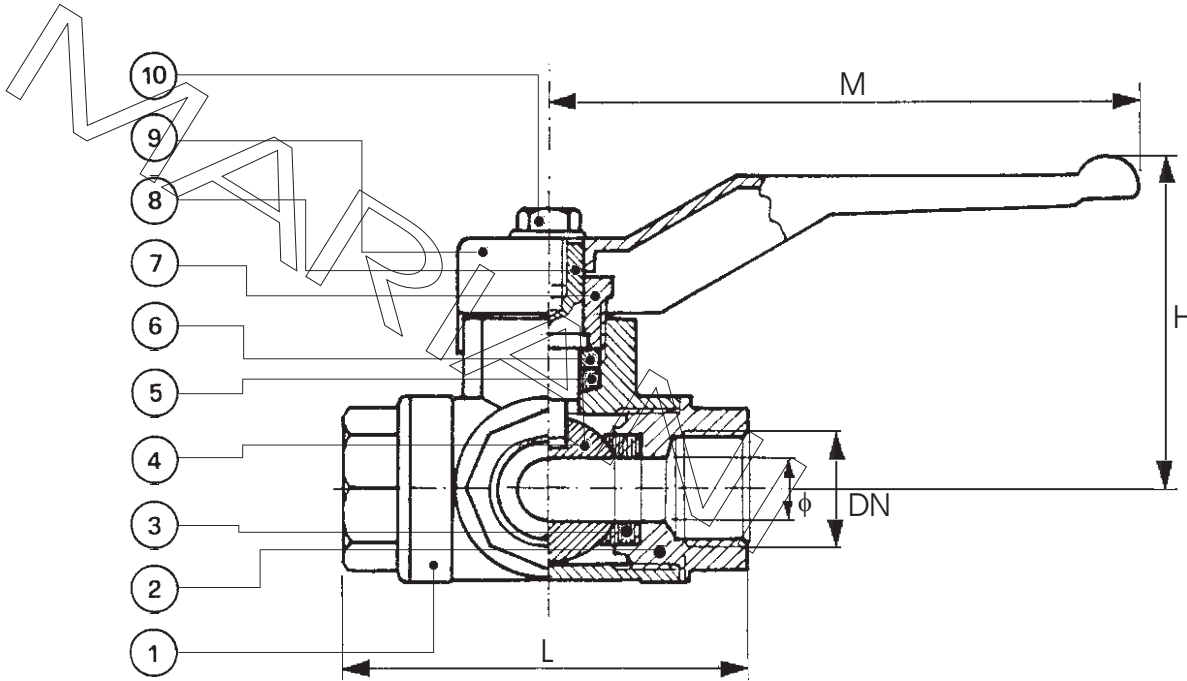
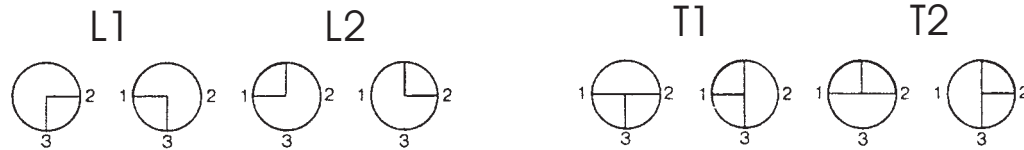


VALVOLA A SFERA - 3 VIE - OTTONE - FFF - PN 40
BALL VALVE - 3 WAYS - BRASS - FFF - 250 LBS



WORKING PRESSURES
W.O.G. NON SHOCK
500 p.s.i.



CONFORM TO: MSS SP 110

#BRASS ASTM B283=CuZn40Pb2 (UNI 5705/65)

OPTIONAL FEATURES: 1)EXTENDED WRENCH

	DESCRIZIONE	DESCRIPTION	MATERIAL
1	CORPO	BODY	BRASS ASTM B283 - CHROME PLATED#
2	MANICOTTO	END PLUG	BRASS ASTM B283 - CHROME PLATED
3	SEGGIO	SEAT	P.T.F.E.
4	SFERA	BALL	BRASS ASTM B16 - HARD CHROME PLATED
5	SEDE ASTA	STEM SEAT	P.T.F.E.
6	GUARNIZIONE	GASKET	P.T.F.E.
7	PREMISTOPPA	THRUST WASHER	BRASS ASTM B16
8	ASTA	STEM	BRASS ASTM B16
9	LEVA	LEVER	LAQUERED STEEL
10	VITE	LEVER SCREW	ZINC PLATED STEEL

THREADING: GAS (ISO 7/1 Rp) FEMALE PARALLEL

DN	1/4"	3/8"	1/2"	3/4"	1"	1 1/4"	1 1/2"	2"
φ	10	10	10	15	20	25	32	40
L	77	77	82	91	106	121	141	165
M	115	115	115	115	150	150	240	240
H	52	52	52	56	64	68	94	104
Kg	0.660	0.630	0.640	0.860	1.500	2	3.700	5.800