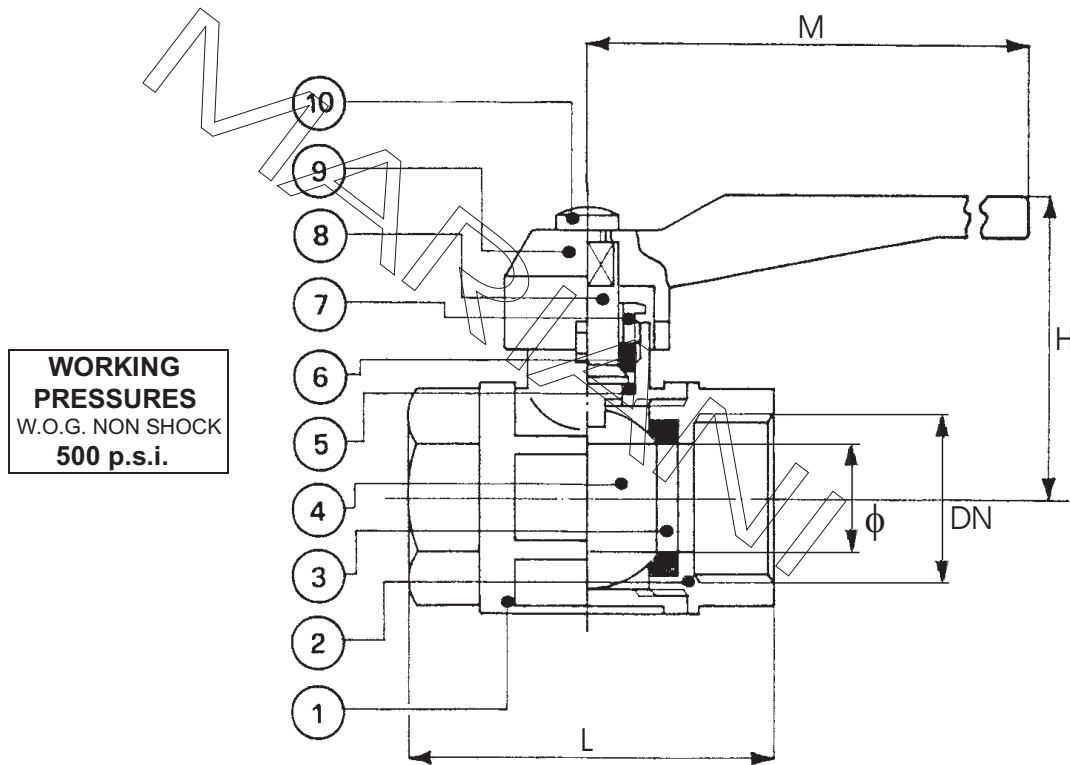


**VALVOLA A SFERA - PASSAGGIO TOTALE - OTTONE - FF - PN 40**  
**BALL VALVE - FULL BORE - BRASS - FF - 250 LBS**



**WORKING PRESSURES**  
W.O.G. NON SHOCK  
**500 p.s.i.**

CONFORM TO: MSS SP 110

#BRASS ASTM B283=CuZn40Pb2 (UNI 5705/65)

OPTIONAL FEATURES: 1) BUTTERFLY HANDLE (≤1")  
2) EXTENDED WRENCH

	DESCRIZIONE	DESCRIPTION	MATERIAL
1	CORPO	BODY	BRASS ASTM B283 - CHROME PLATED#
2	MANICOTTO	END PLUG	BRASS ASTM B283 - CHROME PLATED
3	SEGGIO	SEAT	P.T.F.E.
4	SFERA	BALL	BRASS ASTM B16 - HARD CHROME PLATED
5	SEDE ASTA	STEM SEAT	P.T.F.E.
6	GUARNIZIONE	GASKET	P.T.F.E.
7	PREMISTOPPA	THRUST WASHER	BRASS ASTM B16
8	ASTA	STEM	BRASS ASTM B16
9	LEVA	LEVER	ALUMINIUM ALLOY
10	VITE	LEVER SCREW	ZINC PLATED STEEL

**THREADING: GAS (ISO 7/1 Rp) FEMALE PARALLEL or NPT (ANSI B1.20.1)**

DN	1/4"	3/8"	1/2"	3/4"	1"	1 1/4"	1 1/2"	2"	2 1/2"	3"	4"
φ	9	10	14	20	25	31	39	49	63	76	100
L	46	48	58	69	81	94	99	115	141	165	210
M	90	90	90	115	115	150	150	180	270	270	320
H	41	41	45	57	60	75	81	96	112	123	162
Kg	0.150	0.160	0.250	0.450	0.600	1	1.200	1.750	3.200	4.800	10.450