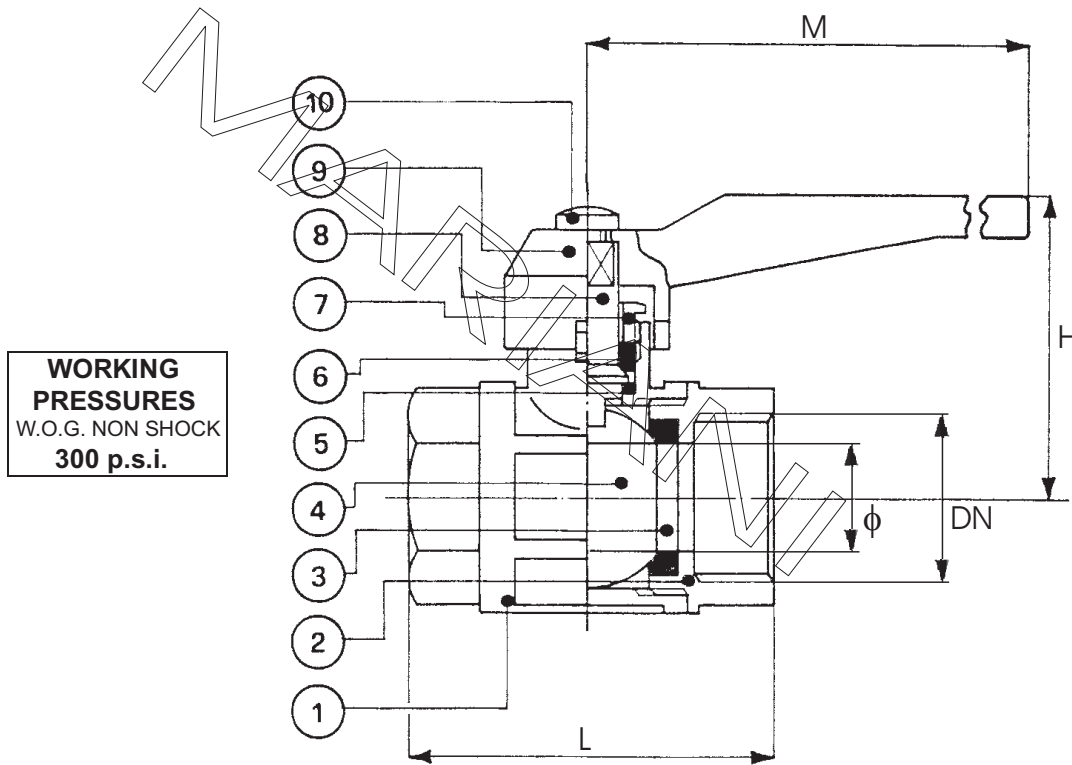


VALVOLA A SFERA - PASSAGGIO TOTALE - OTTONE - FF - PN 20
BALL VALVE - FULL BORE - BRASS - FF - 125 LBS



CONFORM TO: MSS SP 110

OPTIONAL FEATURES: 1) BUTTERFLY HANDLE ($\leq 1''$)
 2) LOCKABLE CAP
 3) SQUARE CAP (28mm)
 4) EXTENDED WRENCH

#BRASS ASTM B283=CuZn40Pb2 (UNI 5705/65)

	DESCRIZIONE	DESCRIPTION	MATERIAL
1	CORPO	BODY	BRASS ASTM B283 - CHROME PLATED#
2	MANICOTTO	END PLUG	BRASS ASTM B283 - CHROME PLATED
3	SEGGIO	SEAT	P.T.F.E.
4	SFERA	BALL	BRASS ASTM B16 - HARD CHROME PLATED
5	SEDE ASTA	STEM SEAT	P.T.F.E.
6	GUARNIZIONE	GASKET	P.T.F.E.
7	PREMISTOPPA	THRUST WASHER	BRASS ASTM B16
8	ASTA	STEM	BRASS ASTM B16
9	LEVA	LEVER	ALUMINIUM ALLOY
10	VITE	LEVER SCREW	ZINC PLATED STEEL

THREADING: GAS (ISO 7/1 Rp) FEMALE PARALLEL

DN	1/4"	3/8"	1/2"	3/4"	1"	1 1/4"	1 1/2"	2"	2 1/2"	3"	4"
φ	10	10	14	19	25	31	39	49	63	76	100
L	42	42	49	58	68	82	89	105	131	150	190
M	90	90	90	90	115	115	150	150	270	270	320
H	40	40	45	50	58	65	80	87	110	120	155
Kg	0.120	0.120	0.160	0.260	0.420	0.630	0.900	1.400	2.800	3.600	7.800