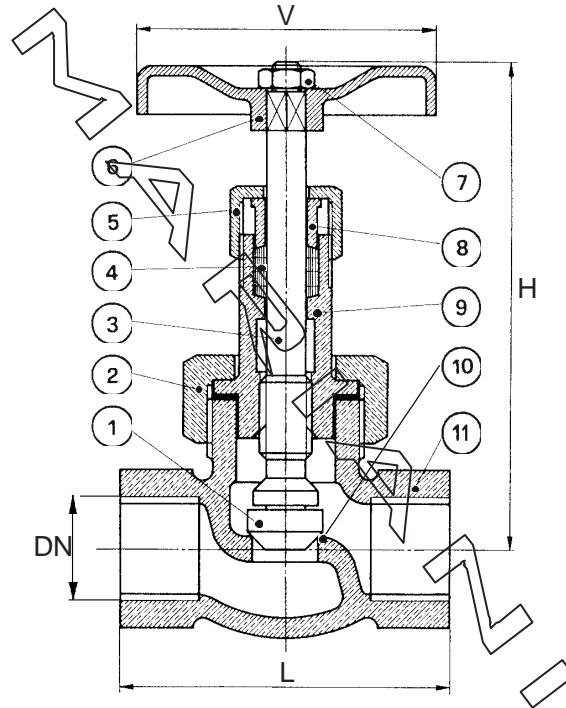


VALVOLA A GLOBO – UNION BONNET - ASTA SALIENTE – BRONZO – S.200

GLOBE VALVE - UNION BONNET - RISING STEM - BRONZE – S.200

**WORKING PRESSURES**  
W.O.G. NON SHOCK  
450 p.s.i.



CONFORM TO: BS 5154  
MSS SP 80  
BACKSEAT

OPTIONAL MATERIAL: PTFE DISC  
ASTM B61 C92200  
ASTM B148 C95800  
MONEL K500

	DESCRIZIONE	DESCRIPTION	BZ (BRONZE)	BZ/BZ	BZ/INOX
1	OTTURATORE	DISC	ASTM B283 C37700	BRONZE ASTM B62 C83600	ASTM A182 F316
2	CALOTTA	UNION-NUT	ASTM B283 C37700	BRONZE ASTM B62 C83600	BRONZE ASTM B62 C83600
3	ASTA	STEM	ASTM B16 C36000	ASTM B283 C37700	ASTM A182 F316
4	BADERNA	STEM PACKING	PTFE	PTFE	PTFE
5	DADO PREMISTOPPA	GLAND NUT	ASTM B16 C36000	ASTM B16 C36000	ASTM B16 C36000
6	VOLANTINO	HANDWHEEL	CARBON STEEL	CARBON STEEL	CARBON STEEL
7	DADO	NUT	ZINC PLATED STEEL	ZINC PLATED STEEL	ZINC PLATED STEEL
8	PREMISTOPPA	THRUST WASHER	ASTM B16 C36000	BRONZE ASTM B62 C83600	BRONZE ASTM B62 C83600
9	VITONE	BONNET	ASTM B283 C37700	BRONZE ASTM B62 C83600	BRONZE ASTM B62 C83600
10	SEDE	SEAT	BRONZE ASTM B62 C83600	BRONZE ASTM B62 C83600	ASTM A182 F316
11	CORPO	BODY	BRONZE ASTM B62 C83600	BRONZE ASTM B62 C83600	BRONZE ASTM B62 C83600

**THREADING: NPT (ANSI B1.20.1) or BSP (ISO 228/1)**

DN	1/4"	3/8"	1/2"	3/4"	1"	1"1/4	1"1/2	2"	2"1/2	3"	4"
L	53	56	62	69	83	100	109	128	139	161	204
H (OPEN)	93	95	112	130	148	178	191	217	240	255	327
V	50	50	60	70	70	80	90	100	110	150	175
Kg	0.350	0.350	0.500	0.700	1.000	1.800	2.000	3.200	4.800	6.400	11.500