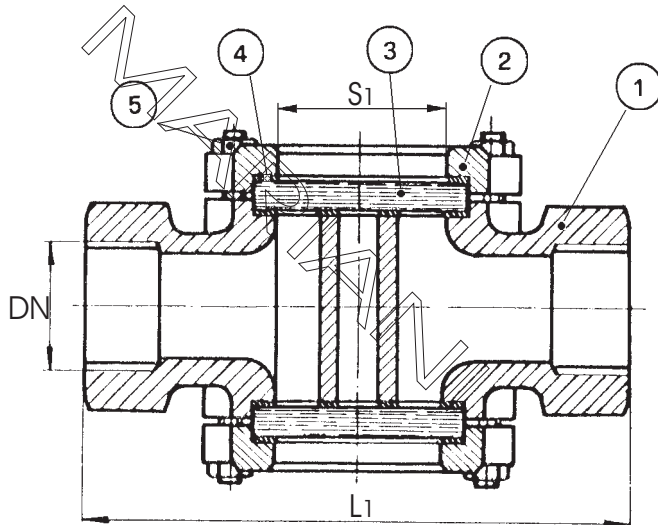


# 1125

**INDICATORE DI PASSAGGIO  
A 2 CRISTALLI TEMPRATI -  
ACCIAIO C./INOX - PN 25**

**FLOW INDICATOR WITH HARDENED  
DOUBLE-GLASS -  
CARBON STEEL/STAINLESS STEEL  
150 LBS**



**THREADING: GAS (ISO 7/1 Rp)  
NPT (ANSI B1.20.1)  
SOLDER ENDS: ANSI B16.11**

CONFORM TO: LENGHT DIN 3202 F1 (1135)

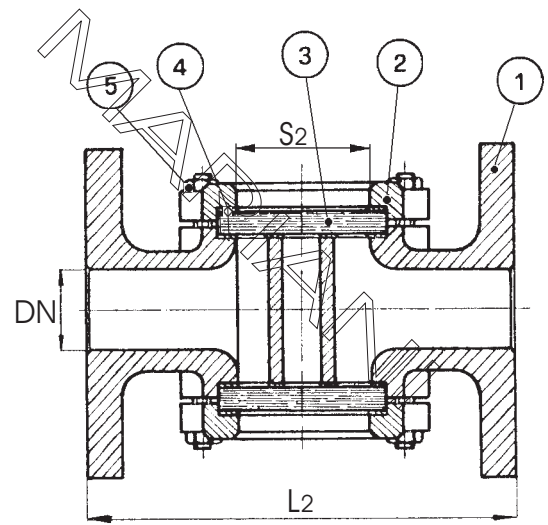
OPTIONAL FEATURES: 1)EXTRA-HARD BOROSILICATE GLASS (DIN7080) WORKING TEMPERATURE MAX=+300 °C(+572 °F)  
2)BALL FLOW INDICATOR IN MOPLEN WORKING TEMPERATURE MAX=+150 °C(+302 °F)

**WORKING  
PRESSURES**  
W.O.G. NON SHOCK  
**350 p.s.i.**

# 1135

**INDICATORE DI PASSAGGIO  
A 2 CRISTALLI TEMPRATI  
C/ALETTE FISSE - FLANGIATO -  
GHISA - ACCIAIO C./INOX - PN 16-25**

**FLANGED FLOW INDICATOR  
WITH HARDENED DOUBLE-GLASS  
AND FIXED VANES - CAST IRON -  
CARBON STEEL/STAINLESS STEEL  
100-150 LBS**



**FLANGED ENDS: ANSI-ASME 150 RF  
DIN 2501 PN 10-16**

DESCRIZIONE	DESCRIPTION	1125		1135		
		A-Carbon Steel	INOX-Stainless Steel	GH-Cast Iron	A-Carbon Steel	INOX-StainlessSteel
CORPO	BODY	ASTM A105	ASTM A182 F316	ASTM A126 B	ASTM A216 WCB	ASTM A351 CF8M
GHIERA	COVER	CARBON STEEL	ASTM A182 F316	ASTM A126 B	ASTM A216 WCB	ASTM A351 CF8M
CRISTALLO	GLASS	HARDENED-GLASS W.T. = 100°C/212°F	HARDENED-GLASS W.T. = 100°C/212°F	HARDENED-GLASS W.T. = 100°C/212°F	HARDENED-GLASS W.T. = 100°C/212°F	HARDENED-GLASS W.T. = 100°C/212°F
VITE	BOLT	ASTM A193 B7	ASTM A193 B8	ASTM A193 B7	ASTM A193 B7	ASTM A193 B8
GUARNIZIONE	GASKET	FASIT 205/400	FASIT 205/400	FASIT 205/400	FASIT 205/400	FASIT 205/400

SIZE	1/4"	3/8"	1/2"	3/4"	1"	1 1/4"	1 1/2"	2"	2 1/2"	3"	4"	5"	6"	8"	10"	
DN	8	10	15	20	25	32	40	50	65	80	100	125	150	200	250	
L1	90	90	90	90	100	127	127	140	-	-	-	-	-	-	-	
L2	-	-	130	150	160	180	200	230	290	310	350	400	480	600	730	
S1	28	28	28	28	34	55	55	65	-	-	-	-	-	-	-	
S2	-	-	44	44	44	50	50	60	90	90	110	142	160	220	270	
Kg <sup>1125</sup>	1	1	1	1	1.2	5.5	5.5	6.5	-	-	-	-	-	-	-	
Kg <sup>1135</sup>	GH	-	-	3	3.5	4	6	6.5	9	17	18	23	50	63	120	160
	A/INOX	-	-	3	4	5	6.5	7.3	10.5	17	20	26.5	52	68	125	165