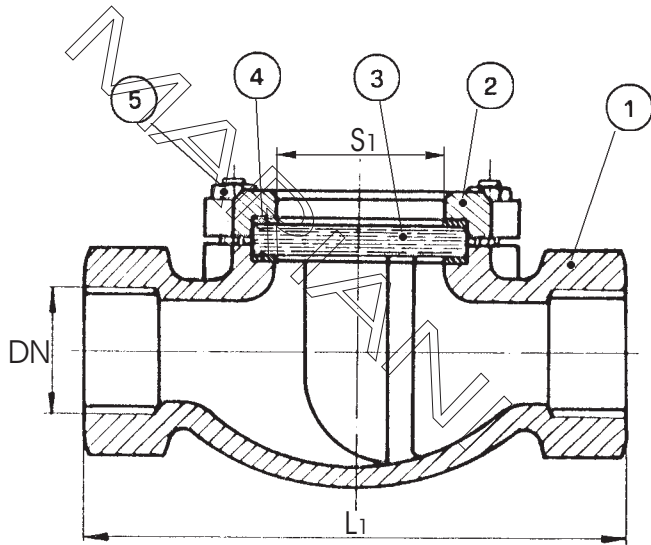


120

**INDICATORE DI PASSAGGIO
A 1 CRISTALLO TEMPRATO -
C/ALETTE FISSE - BRONZO - PN 16**

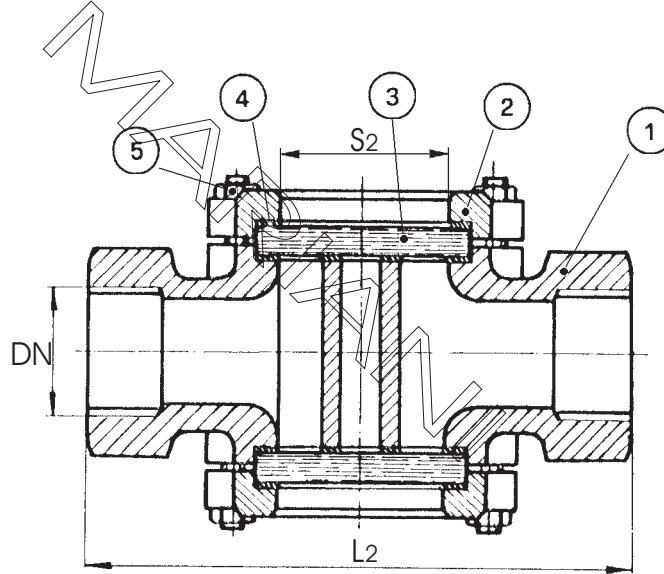
**FLOW INDICATOR WITH HARDENED
SINGLE-GLASS AND FIXED VANES -
BRONZE - 100 LBS**



125

**INDICATORE DI PASSAGGIO
A 2 CRISTALLI TEMPRATI -
C/ALETTE FISSE - BRONZO - PN 16**

**FLOW INDICATOR WITH HARDENED
DOUBLE-GLASS AND FIXED VANES -
BRONZE - 100 LBS**



**WORKING
PRESSURES**
W.O.G. NON SHOCK
225 p.s.i.

OPTIONAL FEATURES: 1)EXTRA-HARD BOROSILICATE GLASS (DIN7080) WORKING TEMPERATURE MAX=+300 °C(+572 °F)
2)BALL FLOW INDICATOR IN MOPLEN WORKING TEMPERATURE MAX=+150 °C(+302 °F)

*BRONZE ASTM B62 C83600=BS 1400 LG2=UNI 7013-8°

#BRASS ASTM B283=CuZn40Pb2 (UNI 5705/65)

	DESCRIZIONE	DESCRIPTION	MATERIAL
1	CORPO	BODY	3/8" - 1 1/4" BRASS ASTM B283# 1 1/2" - 2 1/2" BRONZE ASTM B62*
2	GHIERA	COVER	BRASS ASTM B283
3	CRISTALLO	GLASS	HARDENED - GLASS WORKING TEMPERATURE = 100 °C /212 °F
4	VITE	BOLT	ASTM A193 B7
5	GUARNIZIONE	GASKET	FASIT 205 / 400

THREADING: GAS (ISO 7/1 Rp) or NPT (ANSI B1.20.1)

DN	3/8"	1/2"	3/4"	1"	1 1/4"	1 1/2"	2"	2 1/2"
L1	98	95	101	106	130	137	164	180
L2	107	103	113	117	125	135	170	180
S1	39	39	44	44	50	50	63	82
S2	44	44	44	44	50	50	63	82
Kg1	0.760	0.750	0.900	0.980	1.700	2	3.350	4.950
Kg2	1.350	1.350	1.450	1.700	2.500	2.800	5	6.500