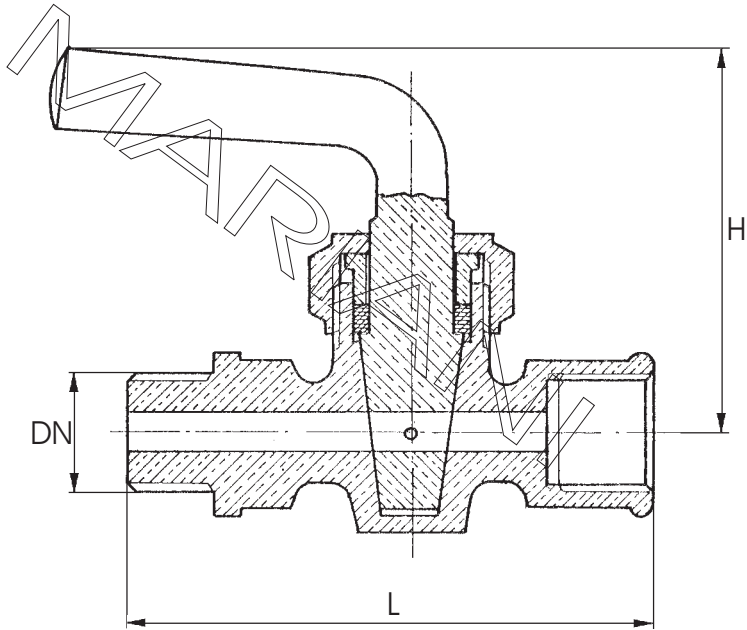


**RUBINETTO PORTAMANOMETRO A MASCHIO
C/PREMISTOPPA - OTTONE - PN 16**

85

GAUGE HOLDER PLUG WITH GLAND - BRASS - 100 LBS



**WORKING
PRESSURES**
W.O.G. NON SHOCK
225 p.s.i.

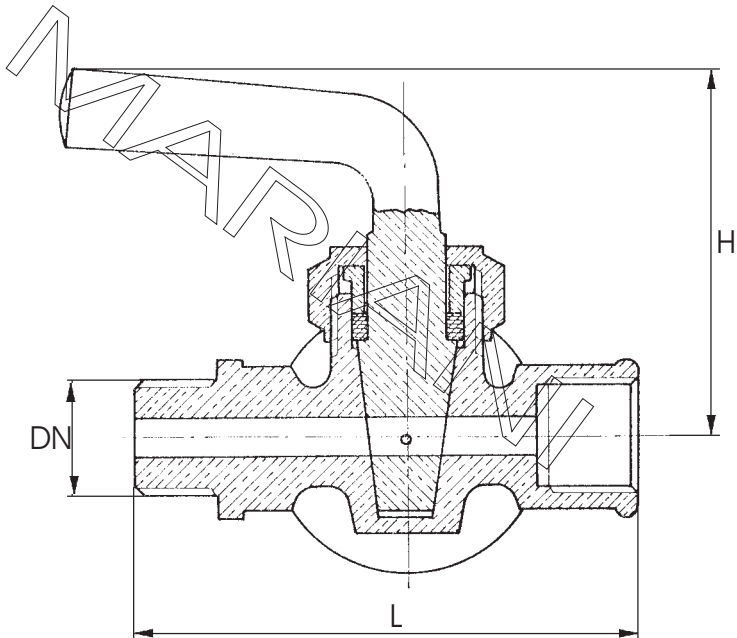
MATERIAL: BRASS ASTM B16
THREADING: GAS (ISO 7/1 Rp)
NPT (ANSI B1.20.1)

DN	1/4"	3/8"	1/2"
L	68	75	78
H	53	56	58
Kg	0.230	0.280	0.330

**RUBINETTO PORTAMANOMETRO A MASCHIO C/PREMISTOPPA
E FLANGIA DI CONTROLLO - OTTONE - PN 16**

90

**GAUGE HOLDER PLUG COCK WITH GLAND
AND CONTROL FLANGE - BRASS - 100 LBS**



**WORKING
PRESSURES**
W.O.G. NON SHOCK
225 p.s.i.

MATERIAL: BRASS ASTM B16
THREADING: GAS (ISO 7/1 Rp)
NPT (ANSI B1.20.1)

DN	1/4"	3/8"	1/2"
L	68	75	80
H	56	56	56
Kg	0.280	0.350	0.370