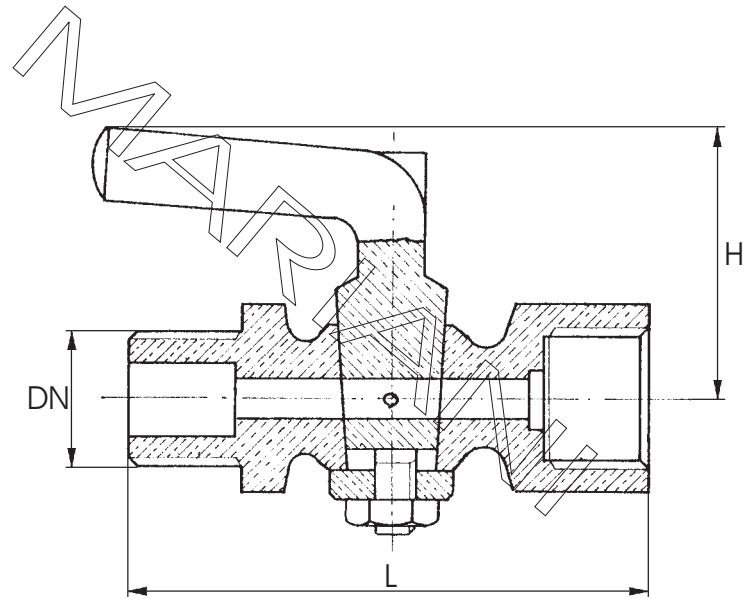


**RUBINETTO PORTAMANOMETRO A MASCHIO PASSANTE -
OTTONE - PN 10**

75

GAUGE HOLDER PLUG COCK - BRASS - 75 LBS

**WORKING
PRESSURES**
W.O.G. NON SHOCK
150 p.s.i.



MATERIAL: BRASS ASTM B16

**THREADING: GAS (ISO 7/1 Rp)
NPT (ANSI B1.20.1)**

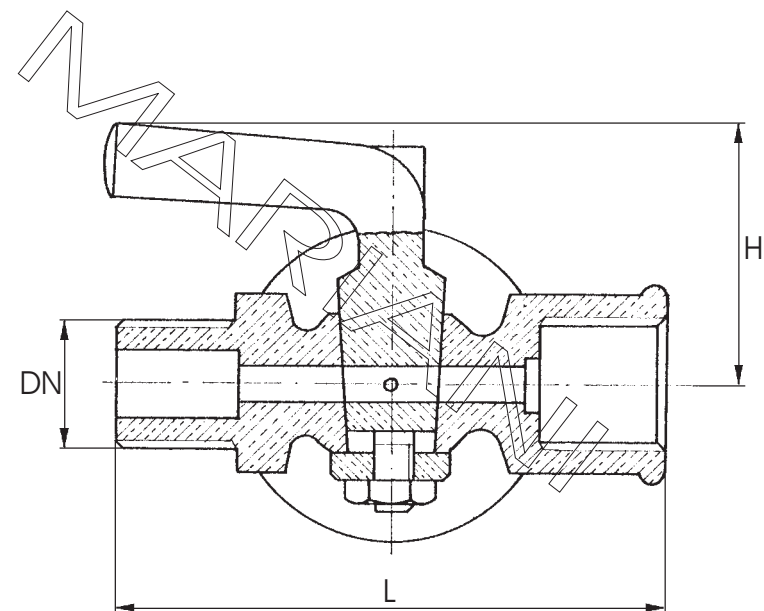
DN	1/4"	3/8"	1/2"
L	46	53	57
H	40	40	41
Kg	0.100	0.140	0.210

**RUBINETTO PORTAMANOMETRO A MASCHIO PASSANTE
C/FLANGIA DI CONTROLLO - OTTONE - PN 10**

80

**GAUGE HOLDER PLUG COCK WITH CONTROL FLANGE -
BRASS - 75 LBS**

**WORKING
PRESSURES**
W.O.G. NON SHOCK
150 p.s.i.



MATERIAL: BRASS ASTM B16

**THREADING: GAS (ISO 7/1 Rp)
NPT (ANSI B1.20.1)**

DN	1/4"	3/8"	1/2"
L	59	69	73
H	38	38	40
Kg	0.200	0.250	0.300