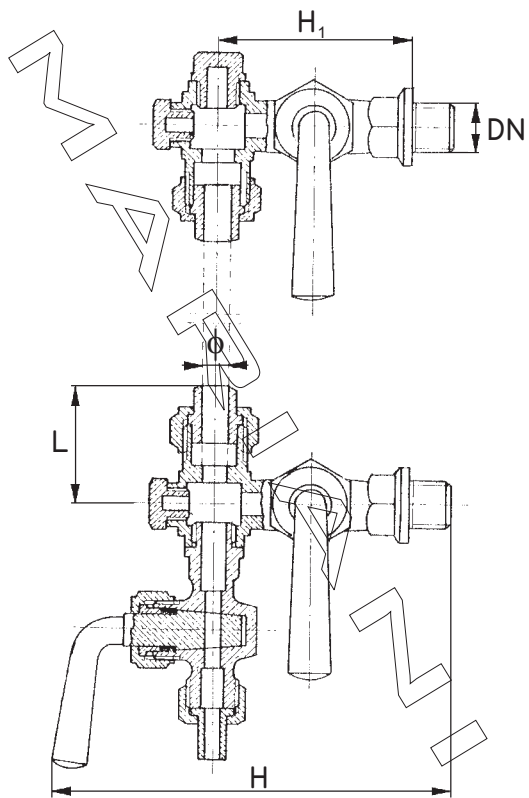


**INDICATORE DI LIVELLO A MASCHIO C/PREMISTOPPA -  
OTTONE - PN 16**

**30**

**PLUG LEVEL GAUGE WITH GLAND - BRASS - 100 LBS**



**WORKING  
PRESSURES**  
W.O.G. NON SHOCK  
**225 p.s.i.**

**MATERIAL: BRASS ASTM B16**

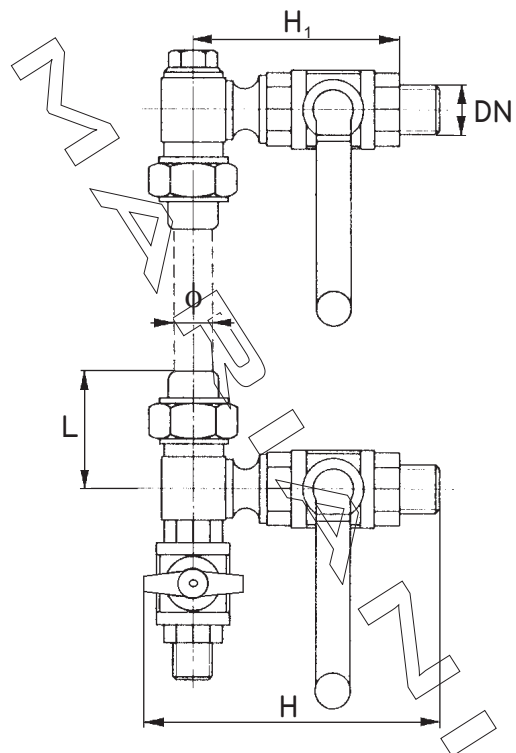
**THREADING: GAS (ISO 7/1 Rp)  
NPT (ANSI B1.20.1)**

<b>DN</b>	<b>3/8"</b>	<b>1/2"</b>
$\phi$	10	13
<b>L</b>	32	32
<b>H</b>	145	145
<b>H<sub>1</sub></b>	69	71
<b>Kg</b>	1.200	1.250

**INDICATORE DI LIVELLO A SFERA - OTTONE NICHELATO - PN 16**

**32**

**BALL LEVEL GAUGE - NICHEL PLATED BRASS - 100 LBS**



**WORKING  
PRESSURES**  
W.O.G. NON SHOCK  
**225 p.s.i.**

**MATERIAL: BRASS ASTM B16**

**THREADING: GAS (ISO 7/1 Rp)  
NPT (ANSI B1.20.1)**

<b>DN</b>	<b>3/8"</b>	<b>1/2"</b>
$\phi$	13	13
<b>L</b>	33	33
<b>H</b>	121	127
<b>H<sub>1</sub></b>	76	82
<b>Kg</b>	0.850	1.000

**WHEN ORDERING, STATE DIMENSION BETWEEN CENTRE OF COCKS.**