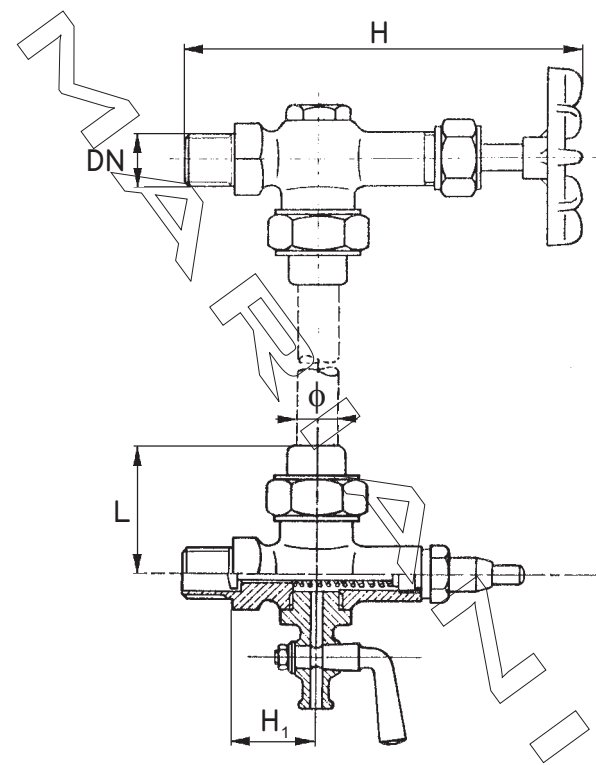


**INDICATORE DI LIVELLO A SPILLO - PARTE INFERIORE
A PULSANTE - OTTONE - PN 16**

27

NEEDLE LEVEL GAUGE - BUTTON TAP INFERIOR - BRASS - 100 LBS



WORKING PRESSURES
W.O.G. NON SHOCK
225 p.s.i.

MATERIAL: BRASS ASTM B16
THREADING: GAS (ISO 7/1 Rp)

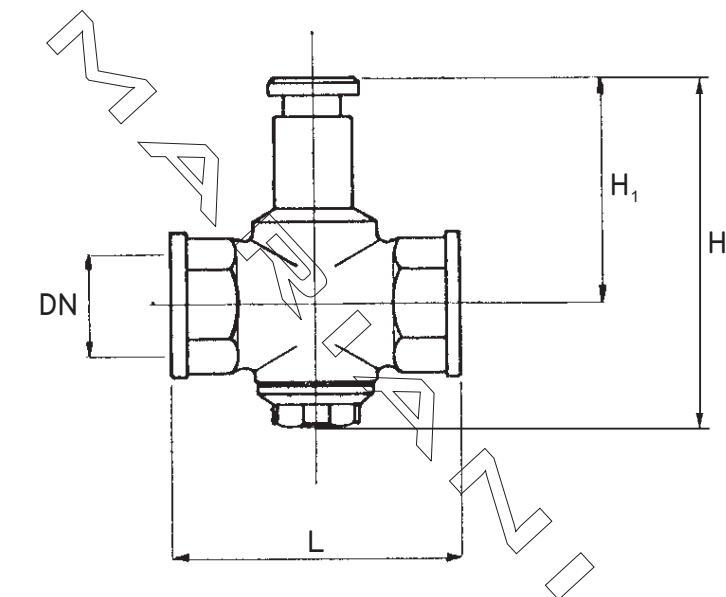
| DN | 1/2" | 3/4" |
|----------------|-------|-------|
| φ | 13 | 13 |
| L | 43 | 43 |
| H | 123 | 123 |
| H ₁ | 27 | 27 |
| Kg | 0.770 | 0.850 |

WHEN ORDERING, STATE DIMENSION BETWEEN CENTRE OF COCKS.

**RUBINETTO PORTAMANOMETRO A PULSANTE -
OTTONE NICHELATO - PN 10**

28

BUTTON STOPTAP - NICHEL PLATED BRASS - 75 LBS



WORKING PRESSURES
W.O.G. NON SHOCK
150 p.s.i.

MATERIAL: BRASS ASTM B16
THREADING: GAS (ISO 7/1 Rp)

| DN | 1/4" | 3/8" | 1/2" |
|----------------|-------|-------|-------|
| L | 53 | 53 | 60 |
| H | 70 | 70 | 70 |
| H ₁ | 49 | 49 | 46 |
| Kg | 0.230 | 0.220 | 0.270 |