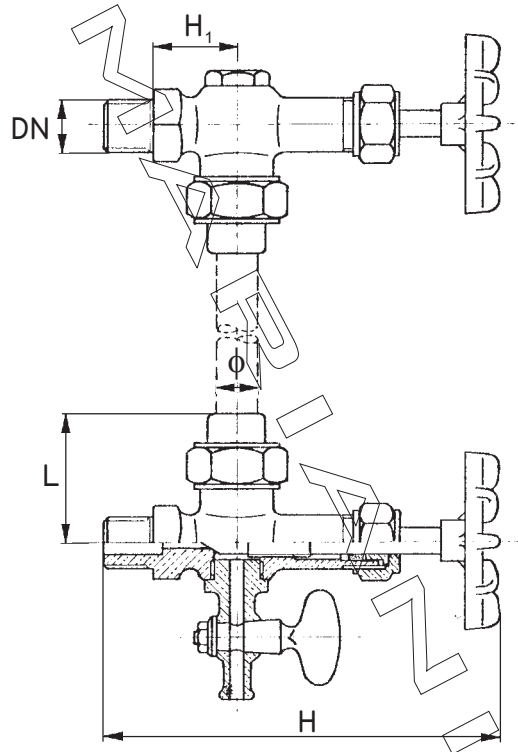


INDICATORE DI LIVELLO A SPILLO - OTTONE - PN 16
NEEDLE LEVEL GAUGE - BRASS - 100 LBS

24



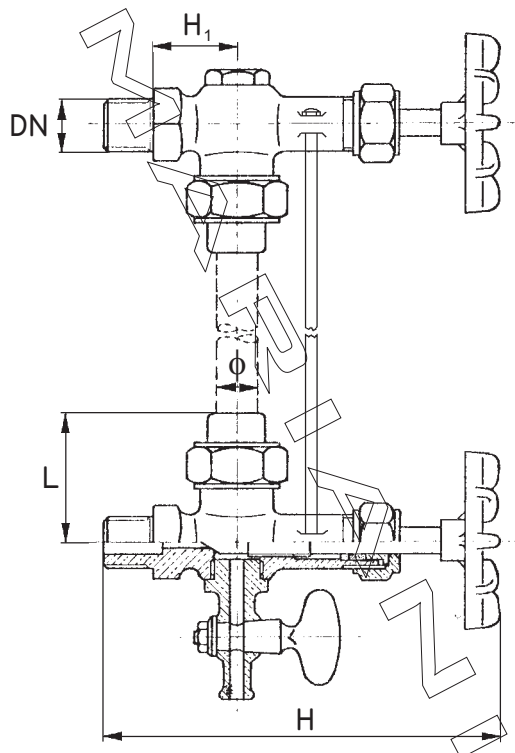
WORKING PRESSURES
W.O.G. NON SHOCK
225 p.s.i.

MATERIAL: BRASS ASTM B16
THREADING: GAS (ISO 7/1 Rp)
NPT (ANSI B1.20.1)

DN	1/4"	3/8"	1/2"
φ	10	13	13-16
L	36	36	36
H	122	122	128
H ₁	32	32	34
Kg	0.535	0.550	0.620

INDICATORE DI LIVELLO A SPILLO C/ALETTE ED ASTE DI PROTEZIONE TUBO - OTTONE - PN 16
NEEDLE LEVEL GAUGE WITH SUPPORT FOR RODS PIPE PROTECTION - BRASS - 100 LBS

25



WORKING PRESSURES
W.O.G. NON SHOCK
225 p.s.i.

MATERIAL: BRASS ASTM B16
THREADING: GAS (ISO 7/1 Rp)
NPT (ANSI B1.20.1)

DN	3/8"	1/2"
φ	13	13
L	43	43
H	123	123
H ₁	27	27
Kg	0.770	0.770

WHEN ORDERING, STATE DIMENSION BETWEEN CENTRE OF COCKS.